

FEATURES

- Wide Bandwidth
- Low Power Consumption
- Low Noise Figure
- Miniature Sizes for drop-In Assembly
- Rugged/compact Thin Film Construction



APPLICATIONS

- Microwave Radio & VSAT
- Military & Space
- Test Instrumentation
- Fiber Optics

SPECIFICATIONS@25°C:

Part Number	Frequency Range (GHz)	Input power Range(dBm)	N.F dB Max	Saturated Pout (dBm)	Pout Flatness (±dB)Max	VSWR Max	Harmonic output (dBc.Typ)	Current@ 12-15 VDC (mA. Typ)	Case Type
MTB0402R2010L	0.4-2.25	-20~+10	4	20	1.5	2:1	15	200	BH4
MTB0502R6020L	0.5-2	-60~+20dB	4	12-18	/	2:1	/	200	DH9
MTB0502R6110L	0.5-2	-61~+10	4	3-7	1.5	2:1	-10	550	DH9
MTB0502R3025H	0.5-2	-30~+25	5	17-22	1.5	2:1	-10	300	DH4/DH6
MTB0502R3510M	0.5-2	-35~+10	5	12-17	1.8	2:1	-10	350	DH4
MTB0502R3510H	0.5-2	-35~+10	5	17-22	1.8	2:1	-10	300	DH4/DH6
MTB0502R3210L	0.5-2	-32~+10	3.5	3-7	1.5	2:1	-10	300	DH4
MTB0520R3505H	0.5-2	-35~+5	5	17-22	1.5	2:1	-10	300	DH4/DH6
MTB0520R3505M	0.5-2	-35~+5	5	12-17	1.8	2:1	-10	350	DH4/DH6
MTB0520R3010H	0.5-2	-30~+10	5	17-22	1.8	2:1	-10	300	DH4/DH6
MTB0520R3010M	0.5-2	-30~+10	5	12-17	1.8	2:1	-10	350	DH4/DH6
MTB0520R3005H	0.5-2	-30~+5	5	17-22	1.5	2:1	-10	300	DH4/DH6
MTB0520R3005M	0.5-2	-30~+5	5	12-17	1.8	2:1	-10	350	DH4/DH6
MTB0520R2510H	0.5-2	-25~+10	5	17-22	1.5	2:1	-10	300	DH4/DH6
MTB0502R2510M	0.5-2	-25~+10	5	12-17	1.8	2:1	-10	350	DH4/DH6
MTB0502R7200L	0.5-2	/	3.5(Typ.)	/	2.5	2:1	/	220	DH19
MTB0702R6000L	0.7-2	-60~0	6	-2-1	1	2:1	-10	700	BH46
MTB-0120R2520H	1-2	-25~20	5	17-20	2	2:1	-10	350	DH4
MTB0118R6130L	1-18	-60~+30dB	8	7-11	/	2:1	/	200	DH9
MTB0204R6110L	2-4	-61~+10	4.5	7-11	2	2:1	-10	500	DH8
MTB0204R2810L	2-4	-28~+10	3	7-11	1.5	2:1	-10	300	DH4/DH6
MTB0204R2510H	2-4	-25~+10	5	17-22	1.8	2:1	-10	300	DH4/DH6
MTB0204R2510M	2-4	-25~+10	5	12-17	1.8	2:1	-10	350	DH4/DH6



WIDE BAND LIMITING AMPLIFIER

Part Number	Frequency Range (GHz)	Input power Range(dBm)	N.F dB Max	Saturated Pout (dBm)	Pout Flatness (±dB)Max	VSWR Max	Harmonic output (dBc.Typ)	Current@ 12-15 VDC (mA. Typ)	Case Type
MTB0204R3005H	2-4	-30~+5	5	17-22	1.8	2:1	-10	300	DH4/DH6
MTB0204R3005M	2-4	-30~+5	5	12-17	1.8	2:1	-10	350	DH4/DH6
MTB0204R3010H	2-4	-30~+10	5	17-22	1.8	2:1	-10	300	DH4/DH6
MTB0204R3010M	2-4	-30~+10	5	12-17	1.8	2:1	-10	350	DH4/DH6
MTB0204R3510H	2-4	-35~+10	5	17-22	1.8	2:1	-10	300	DH4/DH6
MTB0204R3510M	2-4	-35~+10	5	12-17	1.8	2:1	-10	350	DH4/DH6
MTB0204R3505H	2-4	-35~+5	5	17-22	1.8	2:1	-10	300	DH4/DH6
MTB0204R3505M	2-4	-35~+5	5	12-17	1.8	2:1	-10	350	DH4/DH6
MTB0206R6110M	2-6	-61~+10	5.5	14-18	2.5	2:1	-10	500	BH46
MTB0206R2110M	2-6	-21~+10	4	14-18	1.5	2:1	-10	300	DH4/DH6
MTB0206R3510H	2-6	-35~+10	5	17-22	1.8	2:1	-10	300	DH4/DH6
MTB0206R3510M	2-6	-35~+10	5	12-17	1.8	2:1	-10	350	DH4/DH6
MTB0206R3505H	2-6	-35~+5	5	17-22	1.8	2:1	-10	300	DH4/DH6
MTB0206R3505M	2-6	-35~+5	5	12-17	1.8	2:1	-10	350	DH4/DH6
MTB0206R3010H	2-6	-30~+10	5	17-22	1.8	2:1	-10	300	DH4/DH6
MTB0206R3010M	2-6	-30~+10	5	12-17	1.8	2:1	-10	350	DH4/DH6
MTB0206R3005H	2-6	-30~+5	5	17-22	1.8	2:1	-10	300	DH4/DH6
MTB0206R3005M	2-6	-30~+5	5	12-17	1.8	2:1	-10	350	DH4/DH6
MTB0206R2510H	2-6	-25~+10	5	17-22	1.8	2:1	-10	300	DH4/DH6
MTB0206R2510M	2-6	-25~+10	5	12-17	1.8	2:1	-10	350	DH4/DH6
MTB0208R6110H	2-8	-61~+10	5.5	16-20	1.5	2:1	-10	750	DH4/DH6
MTB0208R3510H	2-8	-35~+10	6	17-22	1.8	2:1	-10	300	DH4/DH6
MTB0208R3510M	2-8	-35~+10	6	12-17	1.8	2:1	-10	350	DH4/DH6
MTB0208R3505H	2-8	-35~+5	6	17-22	1.8	2:1	-10	300	DH4/DH6
MTB0208R3505M	2-8	-35~+5	6	12-17	1.8	2:1	-10	350	DH4/DH6
MTB0208R3010H	2-8	-30~+10	6	17-22	1.8	2:1	-10	300	DH4/DH6
MTB0208R3010M	2-8	-30~+10	6	12-17	1.8	2:1	-10	350	DH4/DH6
MTB0208R3005H	2-8	-30~+5	6	17-22	1.8	2:1	-10	300	DH4/DH6
MTB0208R3005M	2-8	-30~+5	6	12-17	1.8	2:1	-10	350	DH4/DH6
MTB0208R2510H	2-8	-25~+10	6	17-22	1.8	2:1	-10	300	DH4/DH6
MTB0208R2510M	2-8	-25~+10	6	12-17	1.8	2:1	-10	350	DH4/DH6
MTB0208R1910H	2-8	-19~+10	4	16-20	1.5	2:1	-10	350	DH4/DH6
MTB0218R5020L	2-18	-50~+20	7.5	/	2.5(Typ)	2:1(Typ)	/	500	BH65
MTB0218R6110L	2-18	-61~+10	7.5	7-11	1.5	2:1	-10	950	DH9



WIDE BAND LIMITING AMPLIFIER

Part Number	Frequency Range (GHz)	Input power Range(dBm)	N.F dB Max	Saturated Pout (dBm)	Pout Flatness (±dB)Max	VSWR Max	Harmonic output (dBc.Typ)	Current@ 12-15 VDC (mA. Typ)	Case Type
MTB0218R6110M	2-18	-61~+10dB	7.5	7-11	/	2:1	/	200	BH46
MTB0218R6108M	2-18	-61~+8	7.5	14-19	1.5	2:1	-10	950	DH9
MTB0218R2810L	2-18	-28~+10	6.5	7-11	1.5	2:1	-10	375	DH4/DH6
MTB0218R2110M	2-18	-21~+10	6.5	14-19	1.5	2:1	-10	425	DH4
MTB0218R2110L	2-18	-21~+10	6.5	/	/	2:1	-10	750	BH56
MTB0218R7017L	2-18	/	3.5	17-21	3.5	2:1	/	1.2A	DH19
MTB0218R7200L	2-18	/	4.5(Typ.)	/	3.5	2:1	/	220	DH19
MTB0408R6110M	4-8	-61~+10	5.5	14-18	1.5	2:1	-10	750	DH8
MTB0408R2110M	4-8	-21~+10	4	14-18	1.5	2:1	-10	350	DH4/DH6
MTB0618R6110M	6-18	-61~+10	7	14-19	1.5	2:1	-10	900	BH46
MTB0618R3510M	6-18	-35~+10	6	12-17	1.8	2:1	-10	450	DH4/DH6
MTB0618R3510H	6-18	-35~+10	6	17-22	1.8	2:1	-10	450	DH4/DH6
MTB0618R3510L	6-18	-35~+10	6	8-13	1.8	2:1	-10	450	DH4/DH6
MTB0618R3505H	6-18	-35~+5	6	17-22	1.8	2:1	-10	450	DH4/DH6
MTB0618R3505M	6-18	-35~+5	6	12-17	1.8	2:1	-10	450	DH4/DH6
MTB0618R3505L	6-18	-35~+5	6	8-13	1.8	2:1	-10	450	DH4/DH6
MTB0618R3010H	6-18	-30~+10	6	17-22	1.8	2:1	-10	450	DH4/DH6
MTB0618R3010M	6-18	-30~+10	6	12-17	1.8	2:1	-10	450	DH4/DH6
MTB0618R3010L	6-18	-30~+10	6	8-13	1.8	2:1	-10	450	DH4/DH6
MTB0618R3005H	6-18	-30~+5	6	17-22	1.8	2:1	-10	450	DH4/DH6
MTB0618R3005M	6-18	-30~+5	6	12-17	1.8	2:1	-10	450	DH4/DH6
MTB0618R3005L	6-18	-30~+5	6	8-13	1.8	2:1	-10	450	DH4/DH6
MTB0618R2510H	6-18	-25~+10	6	17-22	1.8	2:1	-10	400	DH4/DH6
MTB0618R2510M	6-18	-25~+10	6	12-17	1.8	2:1	-10	400	DH4/DH6
MTB0618R2510L	6-18	-25~+10	6	8-13	1.8	2:1	-10	400	DH4/DH6
MTB0618R2110M	6-18	-21~+10	6	14-19	1.5	2:1	-10	400	DH4/DH6
MTB0618R4510L	6-15	-45~+10	7.5	/	2.5(Typ)	2:1(Typ)	-	500	BH65
MTB0618R4517L	6-18	/	7	17-19	2.25	2:1	-/	520	BH4
MTB0712R6110M	7-12.4	-61~+10	6	14-19	1.5	2:1	10	900	DH8
MTB0712R2110M	7-12.4	-21~+10	5	14-19	1.5	2:1	-10	400	DH4/DH6
MTB0812R1010L	8-12	-10~+10	6	19-22	1	2:1	-10	400	DH4
MTB0812R3510H	8-12	-35~+10	6	17-22	1.8	2:1	-10	400	DH4
MTB0812R3510M	8-12	-35~+10	6	12-17	1.8	2:1	-10	450	DH4/DH6



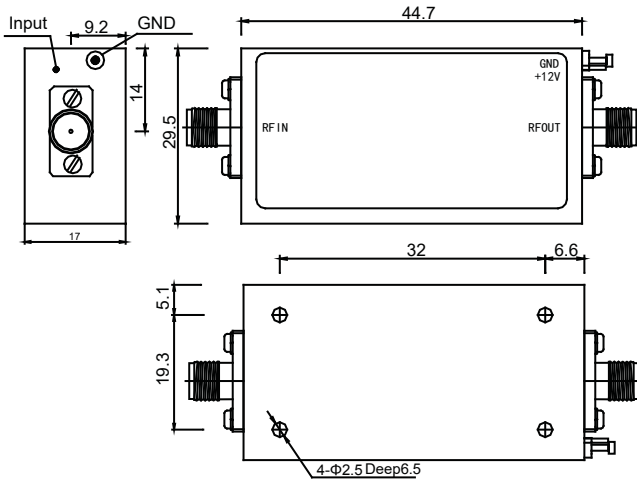
WIDE BAND LIMITING AMPLIFIER

Part Number	Frequency Range (GHz)	Input power Range(dBm)	N.F dB Max	Saturated Pout (dBm)	Pout Flatness (±dB)Max	VSWR Max	Harmonic output (dBc.Typ)	Current@ 12-15 VDC (mA. Typ)	Case Type
MTB0812R3510L	8-12	-35~+10	6	8-13	1.8	2:1	-10	450	DH4/DH6
MTB0812R3505H	8-12	-35~+5	6	17-22	1.8	2:1	-10	400	DH4/DH6
MTB0812R3505M	8-12	-35~+5	6	12-17	1.8	2:1	-10	450	DH4/DH6
MTB0812R3505L	8-12	-35~+5	6	8-13	1.8	2:1	-10	450	DH4/DH6
MTB0812R3010H	8-12	-30~+10	6	17-22	1.8	2:1	-10	400	DH4/DH6
MTB0812R3010M	8-12	-30~+10	6	12-17	1.8	2:1	-10	450	DH4/DH6
MTB0812R3010L	8-12	-30~+10	6	8-13	1.8	2:1	-10	450	DH4/DH6
MTB0812R3005H	8-12	-30~+5	6	17-22	1.8	2:1	-10	400	DH4/DH6
MTB0812R3005M	8-12	-30~+5	6	12-17	1.8	2:1	-10	450	DH4/DH6
MTB0812R3005L	8-12	-30~+5	6	8-13	1.8	2:1	-10	450	DH4/DH6
MTB0812R2510H	8-12	-25~+10	6	17-22	1.8	2:1	-10	350	DH4/DH6
MTB0812R2510M	8-12	-25~+10	6	12-17	1.8	2:1	-10	400	DH4/DH6
MTB0812R2510L	8-12	-25~+10	6	8-13	1.8	2:1	-10	400	DH4/DH6
MTB8018R2110L	8-18	-21~+10	6	6-13	1.5	2:1	-10	400	DH4
MTB8018R2510H	8-18	-25~+10	6	17-22	1.8	2:1	-10	400	DH4/DH6
MTB8018R2510M	8-18	-25~+10	6	12-17	1.8	2:1	-10	400	DH4/DH6
MTB8018R2510L	8-18	-25~+10	6	8-13	1.8	2:1	-10	400	DH4/DH6
MTB8018R3005H	8-18	-30~+5	6	17-22	1.8	2:1	-10	450	DH4/DH6
MTB8018R3005M	8-18	-30~+5	6	12-17	1.8	2:1	-10	450	DH4/DH6
MTB8018R3005L	8-18	-30~+5	6	8-13	1.8	2:1	-10	450	DH4/DH6
MTB8018R3010H	8-18	-30~+10	6	17-22	1.8	2:1	-10	450	DH4/DH6
MTB8018R3010M	8-18	-30~+10	6	12-17	1.8	2:1	-10	450	DH4/DH6
MTB8018R3010L	8-18	-30~+10	6	8-13	1.8	2:1	-10	450	DH4/DH6
MTB8018R3505H	8-18	-35~+5	6	17-22	1.8	2:1	-10	450	DH4/DH6
MTB8018R3505M	8-18	-35~+5	6	12-17	1.8	2:1	-10	450	DH4/DH6
MTB8018R3509H	8-18	-35~+9	6	17-22	1.8	2:1	-10	450	DH4/DH6
MTB8018R3510H	8-18	-35~+10	6	17-22	1.8	2:1	-10	450	DH4/DH6
MTB8018R3510M	8-18	-35~+10	6	12-17	1.8	2:1	-10	450	DH4/DH6
MTB8018R4005M	8-18	-40~+5	6	12-17	1.8	2:1	-10	300	DH4/DH6
MTB8018R4010L	8-18	-40~+10	6	8-13	1.8	2:1	-10	250	DH4/DH6
MTB8018R5005M	8-18	-50~+5	6	12-17	1.8	2:1	-10	400	DH4/DH6
MTB8018R5010L	8-18	-50~+10	6	8-13	1.8	2:1	-10	350	DH4/DH6
MTB8018R6110L	8-18	-61~+10	7	7-13	1.5	2:1	-10	900	DH4/DH6

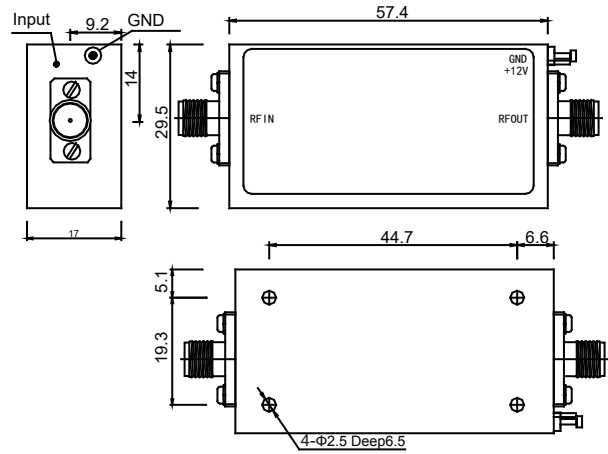


WIDE BAND LIMITING AMPLIFIER

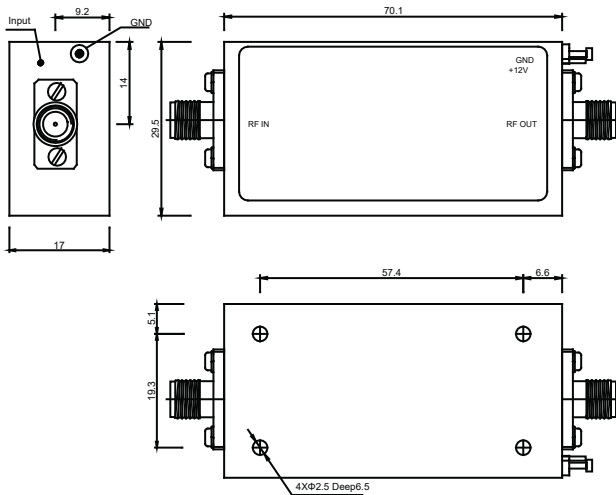
Part Number	Frequency Range (GHz)	Input power Range(dBm)	N.F dB Max	Saturated Pout (dBm)	Pout Flatness (\pm dB)Max	VSWR Max	Harmonic output (dBc.Typ)	Current@ 12-15 VDC (mA. Typ)	Case Type
MTB0810R0505L	8.5-10.5	-5~+5	6	/	0.5(Typ.)	2:1	/	400	DH10
MTB0909R3613L	9.3-9.5	/	2.5	+36	11(Typ)	2:1	/	300	BH2
MTB1218R2110L	12-18	-21~+10	6	6-13	.5	2:1	-10	400	DH4/DH6
MTB1218R6110L	12-18	-61~+10	7	7-13	1.5	2:1	-10	900	DH4/DH6



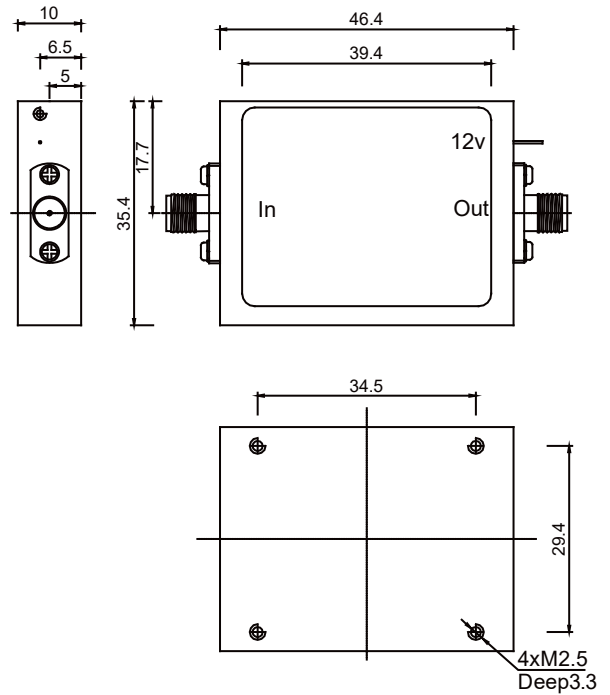
DH4



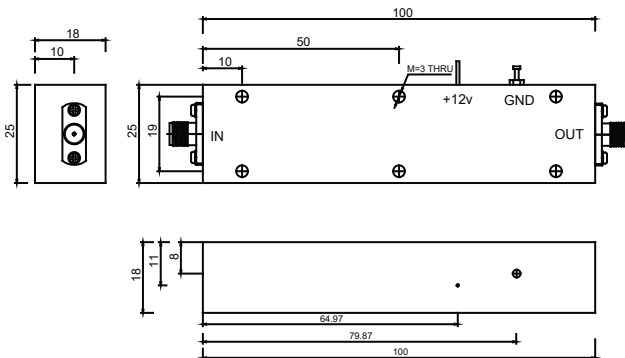
DH6



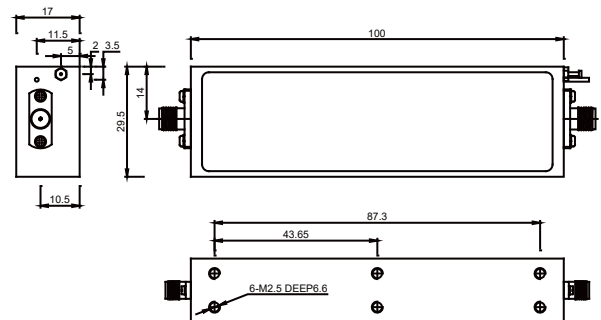
DH8



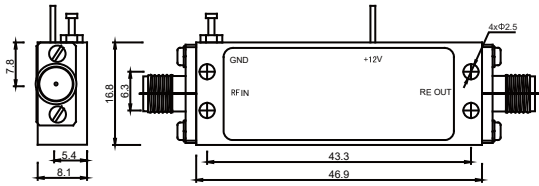
DH10



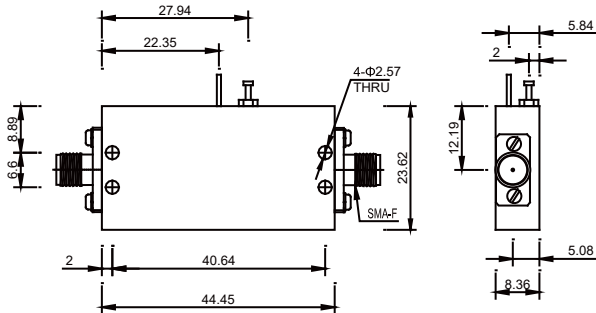
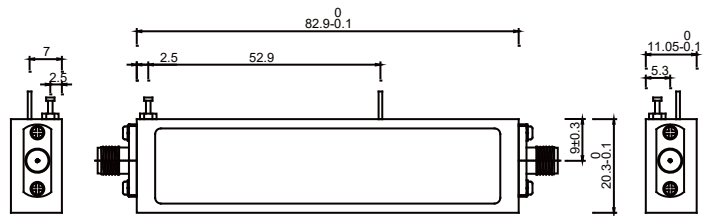
DH9



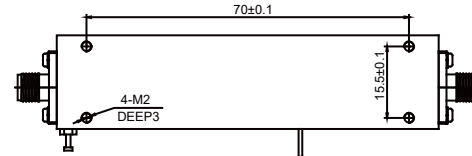
DH19



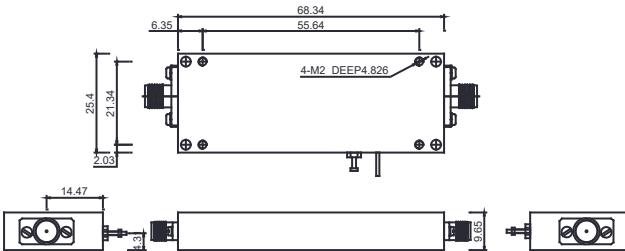
BH4



BH56



BH46



BH65